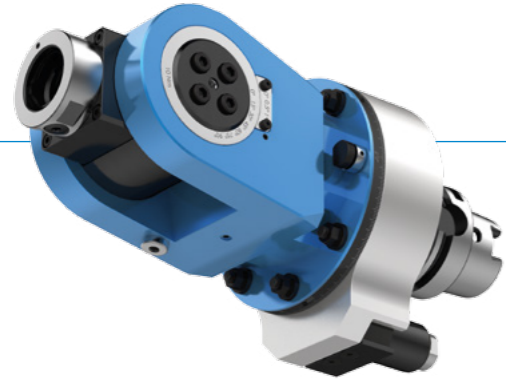


ANGLE HEAD FLEX WDX

MODULAR DESIGN



ANGLE HEAD BODY (SIZE)

05 07 15

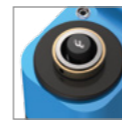
OUTPUT SPINDLE / CLAMPING SYSTEM



BENZ
Solidfix®



Collet chuck



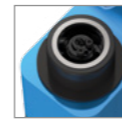
HSK



Weldon



Whistle
Notch



KM™

DRIVE CONE



SK
DIN 69871



MAS BT



CAT



HSK
DIN 69893

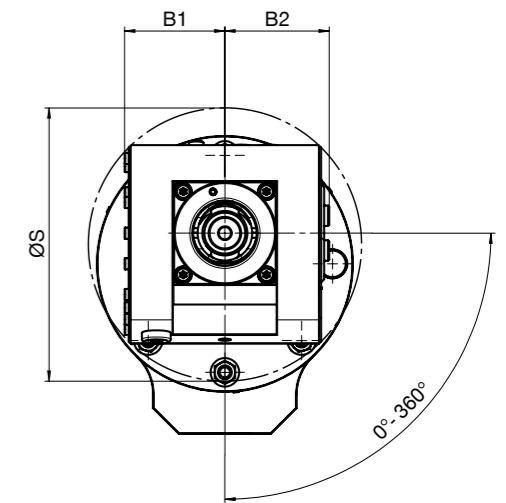
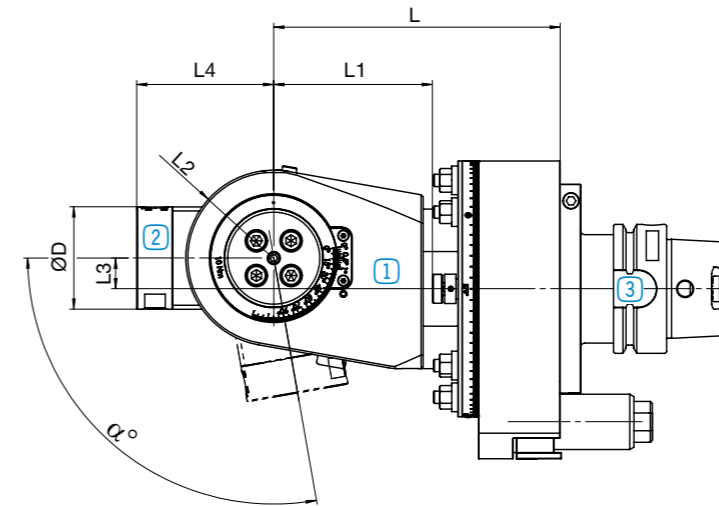


Coromant
Capto®



KM™

Angle head with IC



1 Angle head body
page 62



2 Output spindle /
clamping system
page 64



3 Drive cone
page 66

Specifications

Change the angle head	Machining	Number of output spindles	Axis angle	Coolant feed for cutting edge

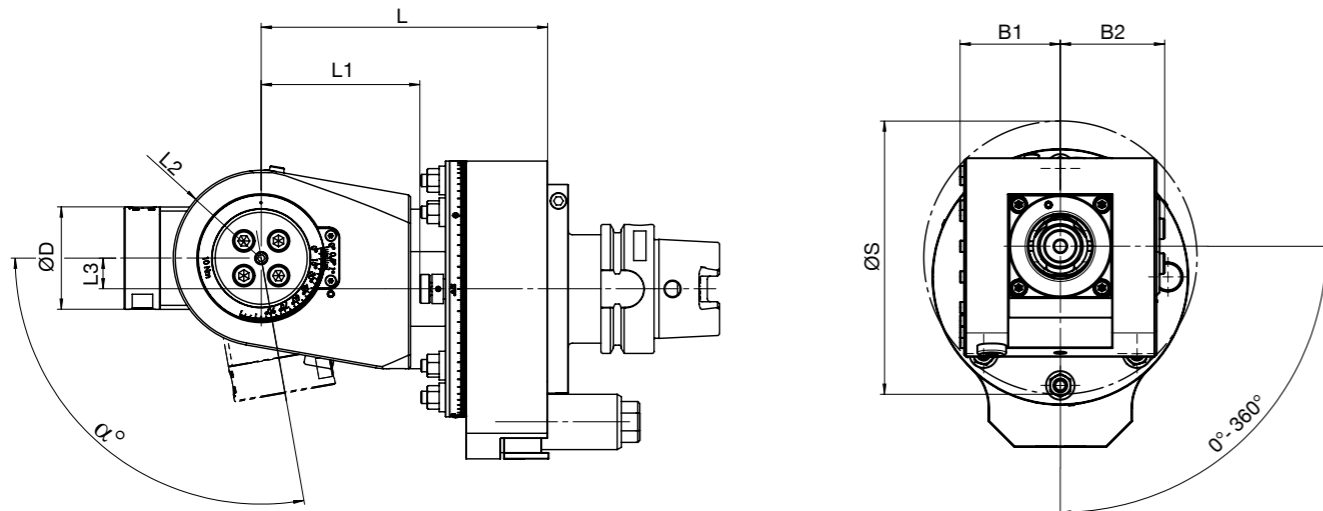
ANGLE HEAD FLEX WDX

▶ ANGLE HEAD BODY (SIZE)



i More sizes on request.
Higher speeds are possible as an option.

▶ Angle head with IC



Size 05

M_{max} = 20 Nm
 i = 1:1
 n_{max} = 8,000 rpm
 p_{max} = 100 bar

▶ Technical data

α [°]	L1 [mm]	L2 [mm]	L3 [mm]	B1 [mm]	B2 [mm]	ØS [mm]	L [mm]	EC	IC	EC+IC	Weight [kg]
0°-100°	68.5	37	15	46.5	48.5	123	130	- / ✓	- / ✓	✓	7

Size 07

M_{max} = 50 Nm
 i = 1:1
 n_{max} = 6,000 rpm
 p_{max} = 100 bar

▶ Technical data

α [°]	L1 [mm]	L2 [mm]	L3 [mm]	B1 [mm]	B2 [mm]	ØS [mm]	L [mm]	EC	IC	EC+IC	Weight [kg]
0°-100°	77.5	43	15	49	51	134	140	- / ✓	- / ✓	✓	9

Size 15

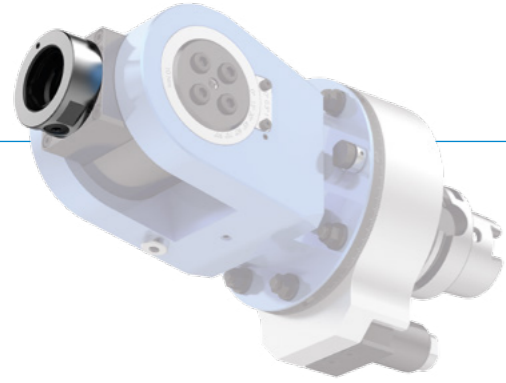
M_{max} = 90 Nm
 i = 1:1
 n_{max} = 4,000 rpm
 p_{max} = 100 bar

▶ Technical data

α [°]	L1 [mm]	L2 [mm]	L3 [mm]	B1 [mm]	B2 [mm]	ØS [mm]	L [mm]	EC	IC	EC+IC	Weight [kg]
0°-100°	109	50	15	56.5	58.5	156	180	- / ✓	- / ✓	✓	16.5

ANGLE HEAD FLEX WDX

▶ OUTPUT SPINDLE / CLAMPING SYSTEM



i Technical data for other toutput spindles / clamping systems on request:



Weldon

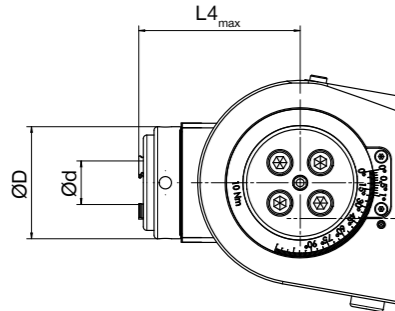


Whistle
Notch



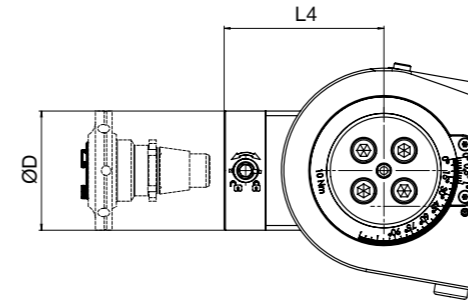
KM™

i We show you **preferable sizes** in the following tables. Smaller output spindles are possible at any time as an option.



Collet chuck

▶ Technical data				
Size	L4 _{max} [mm]	ØD [mm]	Ød _{max} [mm]	
ER20A	05	62.5	40	16
ER25A	07	71.9	45	20
ER32A	15	73.2	55	30

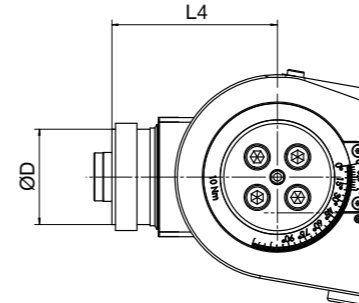


i For adapters and dimensions, see catalogue **BENZ Modular Tool Systems**



BENZ Solidfix®

▶ Technical data			
Size	L4 [mm]	ØD [mm]	
S2	05	56	40
S3	07	67	50
S4	15	74	63

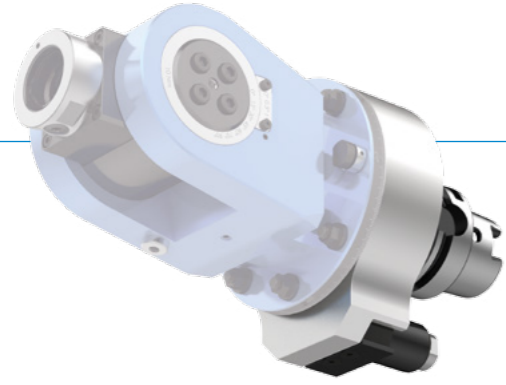


HSK

▶ Technical data			
Size	L4 [mm]	ØD [mm]	
HSK 32	05	55	32
HSK 40	07	67	40
HSK 50	15	77	50

ANGLE HEAD FLEX WDX

DRIVE CONE



i Technical data for other machine interfaces on request.

Type: Steep taper



	Size		
	05	07	15
SK DIN 69871			
SK 40	✓	✓	-
SK 50	✓	✓	✓



	Size		
	05	07	15
MAS BT			
BT 40	✓	✓	-
BT 50	✓	✓	✓



	Size		
	05	07	15
CAT			
CAT 40	✓	✓	-
CAT 50	✓	✓	✓

Type: Hollow shank taper



	Size		
	05	07	15
HSK DIN 69893			
HSK 40	-	-	-
HSK 50	✓	-	-
HSK 63	✓	✓	-
HSK 80	✓	✓	✓
HSK 100	✓	✓	✓



	Size		
	05	07	15
Coromant Capto®			
C3	-	-	-
C4	✓	-	-
C5	✓	✓	✓
C6	✓	✓	✓
C8	✓	✓	✓



	Size		
	05	07	15
Kennametal™			
KM 40	-	-	-
KM 50	✓	-	-
KM 63	✓	✓	-
KM 80	✓	✓	✓
KM 100	✓	✓	✓